

buddy™
Fluid Warmer

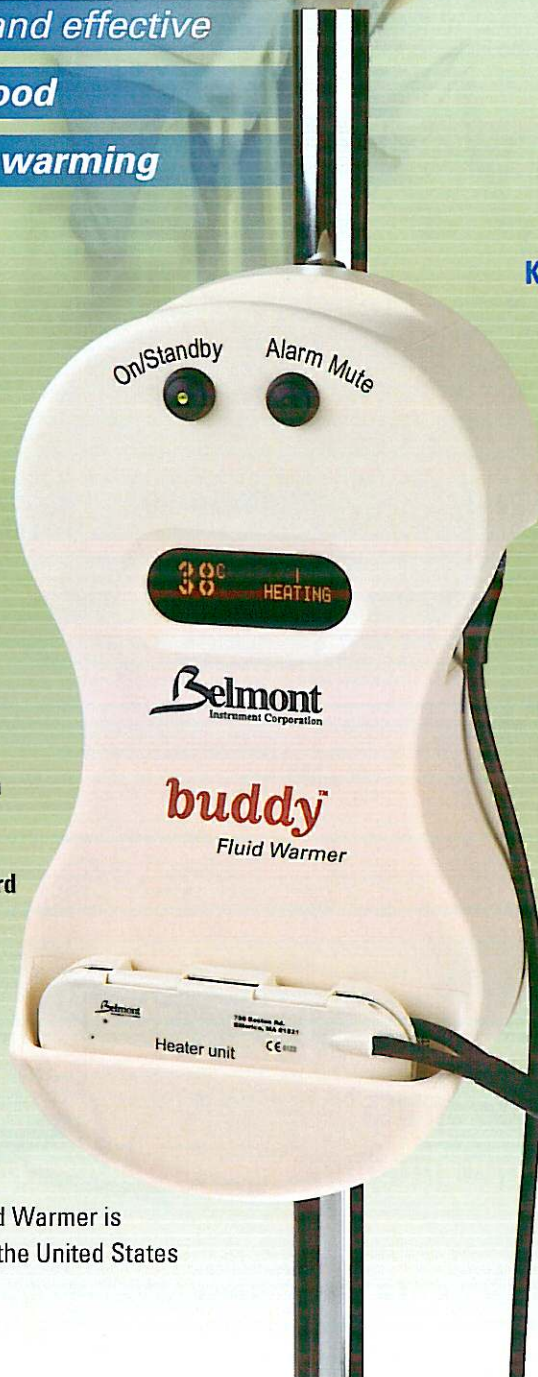
*For safe and effective
in-line blood
and fluid warming*

Heater unit sits safely
next to the patient—
preventing line cooling

**Dry, responsive, low
maintenance** heating

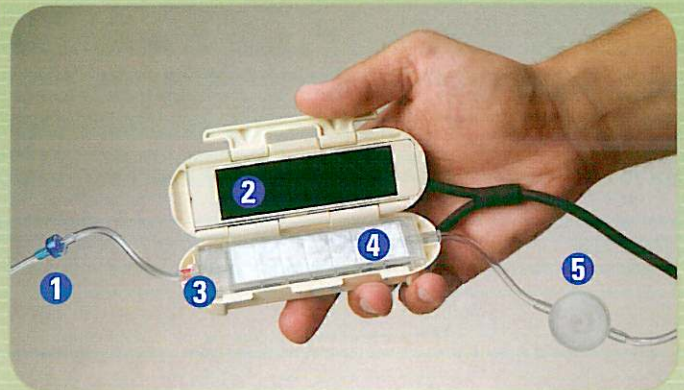
Built in safety features
for air elimination,
pressure regulation,
and back flow prevention

Can be used with **standard
IV tubing** and is small
enough to **remain
in line** at the end of
the procedure




Key features of the Buddy:

- 1 **One way valve** prevents back flow from the patient
- 2 **Dual heater plates** safely warm fluids to 38°C right at the entry site without water bath or microwaves



- 3 **Flow control valve** prevents air
entrainment especially during transport
- 4 **Large venting membrane** automatically
removes air from crystalloid solutions
- 5 **Pressure regulating valve** prevents excess
pressure from reaching unit and patient

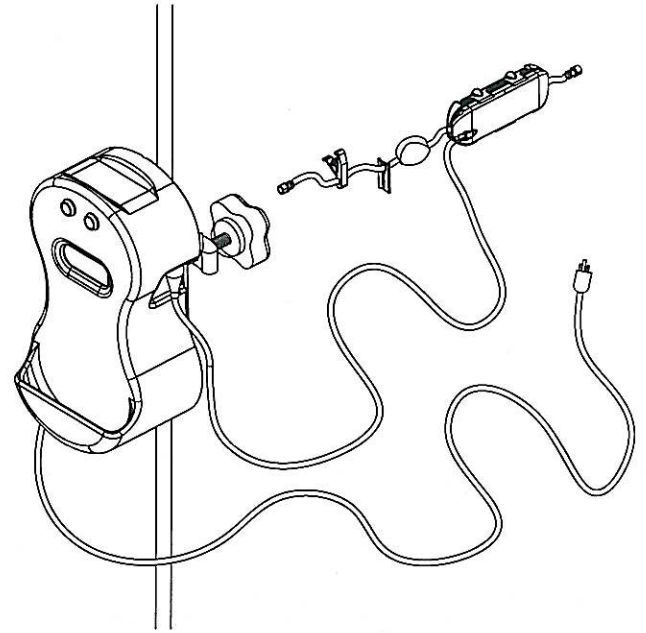
 The Buddy™ Fluid Warmer is
proudly made in the United States

No Compromise Fluid Warming

The Belmont **buddy** is a “no compromise” fluid warmer that features close-to-the-patient fluid warming. The unique heater unit is safely placed next to the infusion site to avoid cooling as the fluid passes from the heater to the patient. The sophisticated design of the unit allows efficient warming without a water bath, jacketed tubing, or microwaves.

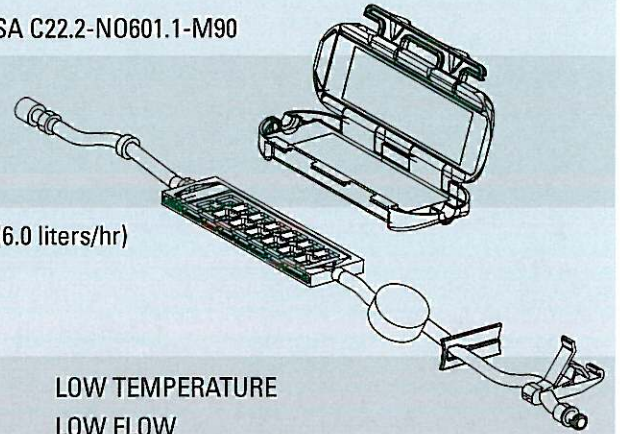
The disposable unit of the **buddy** features a large venting membrane. The membrane automatically removes air from crystalloid solutions. A pressure-regulating valve in the inflow line prevents excessive pressure from being applied to the patient or the set, an anti-entrainment valve prevents air from entering the set, and a one-way check valve in the outflow line prevents backflow from the patient. All of these features work automatically without any Operator involvement.

The IV pole-mounted power module stores the **buddy** heater unit, and displays both the fluid temperature and alarm messages, and alerts the operator to very low flow, helping to maintain the patency of the infusion site.



Specifications

Dimensions	<i>Size:</i> Power Module: 6.25" x 11.5" x 3.0" Heater Unit: 1.5" x 5.2" x 1.5"	<i>Weight:</i> Power module: 9.75 lbs Heater unit: 3.5 oz
Power	<i>AC Input Voltage:</i> 115V, 230V <i>Operating Frequency:</i> 50/60 Hz <i>Maximum Power:</i> 150 Watts <i>Electrical Compliance:</i> EN60601-1, UL60601-1 CAN/CSA C22.2-NO601.1-M90	
Environmental	<i>Operating Temperature:</i> 10°–35°C <i>Humidity:</i> 10–90% RH <i>Electromagnetic Compatibility:</i> EN60601-1-2 <i>Shock and Vibration:</i> ISTA Test procedure 1, 1996	
Operating Parameters	<i>Flow Rate:</i> Input Temperature 20°C: max 100 ml/min (6.0 liters/hr) Input Temperature 10°C: max 50 ml.min (3.0 liters/hr) <i>Output Temperature:</i> 38°C +/- 2°C <i>Prime Volume:</i> 7ml with valves and tubing	
Alarms and Alerts	OVER TEMPERATURE OVER CURRENT EMPTY SET/CHECK FOR AIR NO HEAT/CHECK CONNECTION	LOW TEMPERATURE LOW FLOW SYSTEM RESET PROBE FAULT
Disposable	Sterile, Non Pyrogenic Fluid Path, Single Patient Use. No Latex. No DEHP.	
Ordering Information	buddy™ System: P/N 905-00001, NSN 6515-01-5422115 (Part No., Gov. NSN Number) buddy™ Sets: P/N 905-00010, NSN 6515-01-5424545	



Call 866-663-0212 today for more information on the **buddy™** or to schedule a demo of this unique product



E-mail us at Sales@belmontinstrument.com

Belmont Instrument Corporation 780 Boston Rd., Billerica, MA 01821 www.belmontinstrument.com